

Instructions for Use

Trade Name: Sitting Position Frame with clamps

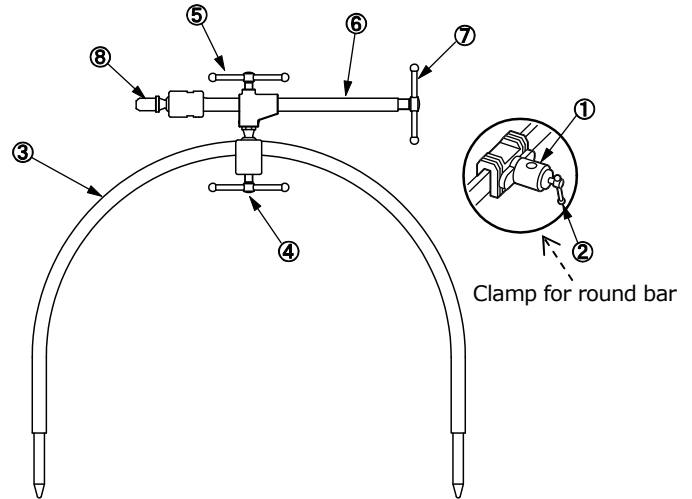
Warning

1. Please read these instructions carefully prior to using this product. Product should be used according to these instructions and pay close attention to the safety of patients. Not doing so may give rise to serious problems or adverse events.
2. When using operating table accessories to support any patient's posture, always pay close attention to the patient. If a patient is left in the same posture for an extended period of time, nerve paralysis could occur.

Contraindication / Prohibition

1. Do not use this product with a loose fixing handle. The Sitting Position Frame with clamps could move and cause damage to a patient.
2. Use this product only with MIZUHO's operating tables and accessories that are intended to be used with this product.
3. Use for intended purpose only
Use tools for their intended purposes only. Incorrect use could cause breakage of this product.
4. Prohibition of use of chemicals
Avoid exposing this product to chemicals. Doing so could damage this product due to corrosion.
5. Prohibition of secondary processing of this product
Do not apply any secondary processing to this product. For example, do not apply impacts or vibration markings to the surface of this product. Doing so could break this product.
6. Handle with care
Handle this product with care, as it can be deformed or damaged. Rough handling could significantly reduce the service life of tools and appliances.
7. Prohibition of use of polishing powder and wire wool
When cleaning this product, do not attempt to polish its surfaces with rough polishing powder or wire wool. This could cause scratches on the surfaces of this product and result in rust or corrosion.
8. Prohibition of use of household detergents
Use only medical detergents to clean this product. Do not use any household detergent. Washing this product with an improper detergent could result in discoloration or corrosion.

Shape / Structure



- ① Side rail clamp
- ② Fixing handle
- ③ Frame
- ④ Support rod handle A
- ⑤ Support rod handle B
- ⑥ Support rod
- ⑦ Head rest handle
- ⑧ Joint shaft

Code No.	Product Description
07-953-01	Sitting position frame with side rail clamp
08-110-01	Clamp for round bar

Note: 2 pcs. of "08-110-01 Clamp for round bar" are included in "07-953-01 Sitting position frame with side rail clamp".

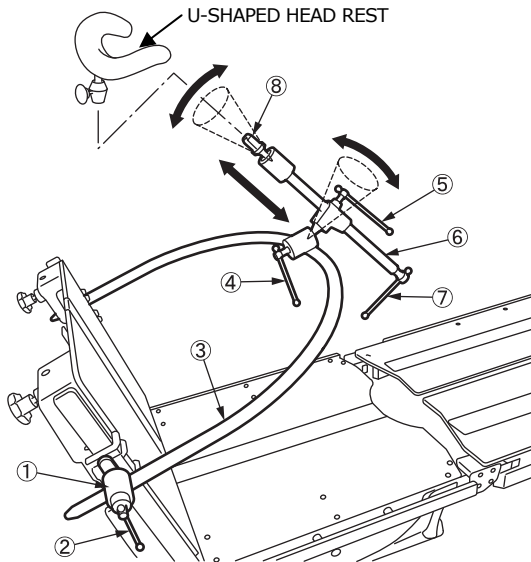
Material: Stainless Steel

Attachable operating table accessories
Trade name: U-SHAPED HEAD REST

Intended Purpose

This product is an operating table accessory to be used to support a head of a patient in the sitting position.

Instructions for use



- ① Side rail clamp ⑤ Support rod handle B
② Fixing handle ⑥ Support rod
③ Frame ⑦ Head rest handle
④ Support rod handle A ⑧ Joint shaft

1. Attach ① Side rail clamps of ③ Frame to right and left side rail of an operating table.
2. Adjust and fix the position of ③ Frame by ② Fixing handle.
3. Adjust and fix the position of ⑥ Support rod by ④ Support rod handle A and ⑤ Support rod handle B.
4. Attach an operating table accessory to be used to fix a patient's head to ⑧ Joint shaft.

Caution

1. Warning
Ensure all fastener component are tied up. Failure to do so may result in a patient injury.
2. Important caution
 - ① Use this product according to user's manuals of the operating table accessory to be attached to this.
 - ② When working with an operating table, take care not to allow this product to make contact or interface with the table top or with other accessories used in combination with this product.
 - ③ Prohibition of use of chemicals
Avoid exposing this product to chemicals. Doing so could damage this product due to corrosion.

Storage/Life

1. Storage
Do not store the device in high temperatures or in areas with high humidity where the temperature has drastic variations.
2. Life
Service life of this product: 7 years
(Subject to the specified maintenance, inspection and proper storage)

Maintenance / Inspection

1. Check before and after use
Check that this product is not damaged or broken before and after use.
2. Cleaning and disinfection
Wipe off blood, chemicals, contaminants, and other stains with water, and clean the device with gauze or other material moistened with alcohol to disinfect.
3. In case of a malfunction
If you need to have this product repaired, clearly label the device as "Broken", "Need repair" etc. and contact your local dealer or Mizuho.

Matters related to warranty period

MIZUHO Corporation will repair defective parts of this product without charge for one year from the date of delivery/installment except for cases of damage caused by a third party's repair, act of nature, improper use or damage on purpose. All other warranty terms and conditions are subject to regulations of MIZUHO Corporation.

* Name and address of manufacturer



MIZUHO Corporation
3-30-13 Hongo, Bunkyo-ku, Tokyo 113-0033, Japan
<http://www.mizuho.co.jp>

* Authorized Representative Europe



Emergo Europe B.V.
Prinsessegracht 20, 2514 AP, The Hague
The Netherlands